

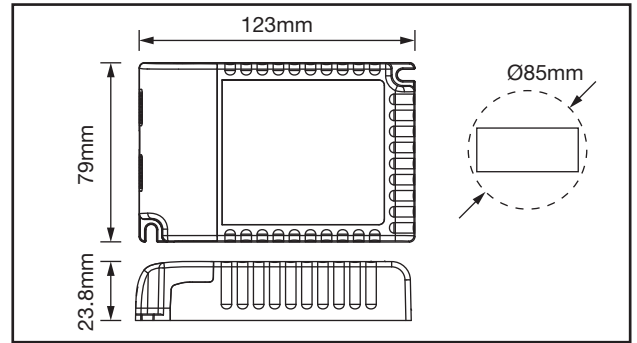
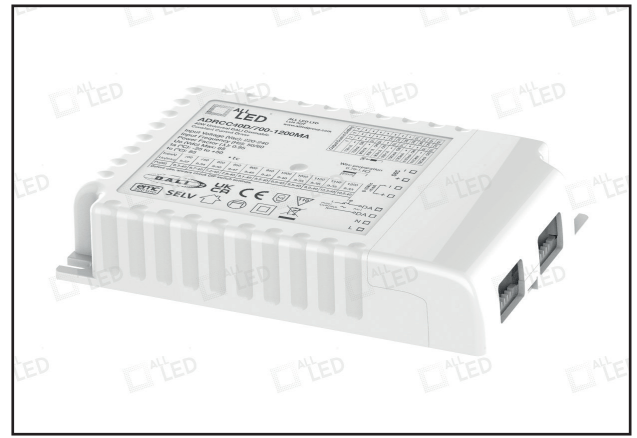
ADRCC40D/700-1200MA

40W Universal DALI / DALI2 /
(0)1-10V / Push Dimming Constant
Current Driver

UNIDRIVE-CC

PRODUCT FEATURES

- DALI, DALI2, (0)1-10V, Retractive Push Dimming All-In-One Unit
- Selectable Constant Current Output By DIP Switch
- Wide Output Voltage
- Short Circuit / Over Temperature / Over Voltage Protection



TECHNICAL SPECIFICATIONS

PRODUCT CODE	ADRCC40D/700-1200MA
Operating Voltage	220-240VAC
Operating Current (A max)	0.22A
Max Output Power	40W
Current / Output Power / Voltages	700mA, 6.3-40W, (9-57VDC)
	750mA, 6.7-40W, (9-54VDC)
	800mA, 7.2-40W, (9-50VDC)
	850mA, 7.6-40W, (9-47VDC)
	900mA, 8.1-40W, (9-45VDC)
	950mA, 8.5-40W (9-42VDC)
	1000mA, 9.0-40W, (9-40VDC)
	1050mA, 9.5-40W, (9-38VDC)
	1100mA, 9.9-40W, (9-36VDC)
	1150mA, 10.3-40W, (9-35VDC)
	1200mA, 10.8-40W, (9-33VDC)
Output Voltage (Max)	68VDC
Power Factor	0.95
Efficiency %	83%
No Load Power (W)	<0.5W
Dimming %	2%-100%
Class	II
Body Material	Polycarbonate
Switching Cycles	100,000
Frame Colour	White
Ingress Protection	IP20
Ambient Operating Temperature (°C)	-25°C ~ +50°C
Input Frequency (Hz)	50/60Hz
Guarantee	5 Years
Dimming Protocol	PUSH DIM, (0) 1-10V, DALI
Lifetime	50,000 Hrs

